

HIGH EAVE (PARAPET)

FI2010 - MASONRY WALL

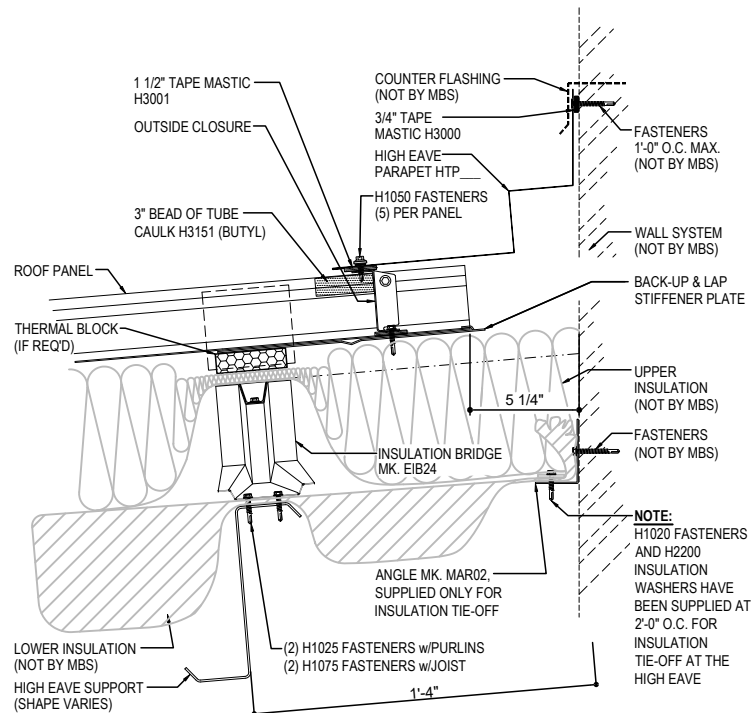
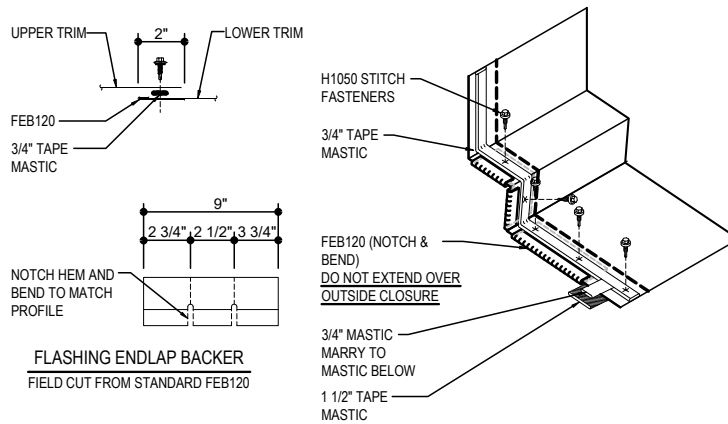
FI2015 - WALL PANEL ABOVE

FI2010 - MASONRY WALL

[Download the DWG file by clicking here.](#)

HIGH EAVE LAP & FLASHING BACKER

SLIDE FIELD CUT SECTION FLASHING ENDLAP BACKER ONTO THE LOWER TRIM PIECE. PLACE TAPE MASTIC NEXT TO HEM OF THE BACKER (NOT ON TOP OF HEM). APPLY CONTINUOUS BEAD OF CAULK 1" FROM END OF TRIM DOWN PROFILE OF TRIM. FASTEN LAP WITH STITCH FASTENERS AND POP RIVETS AS SHOWN.



R-Boost™ ROOF TO WALL DETAIL
HIGH EAVE PARAPET DETAIL WITH MASONRY WALL OR WALL BY OTHERS

FI2010

Detailer Notes:

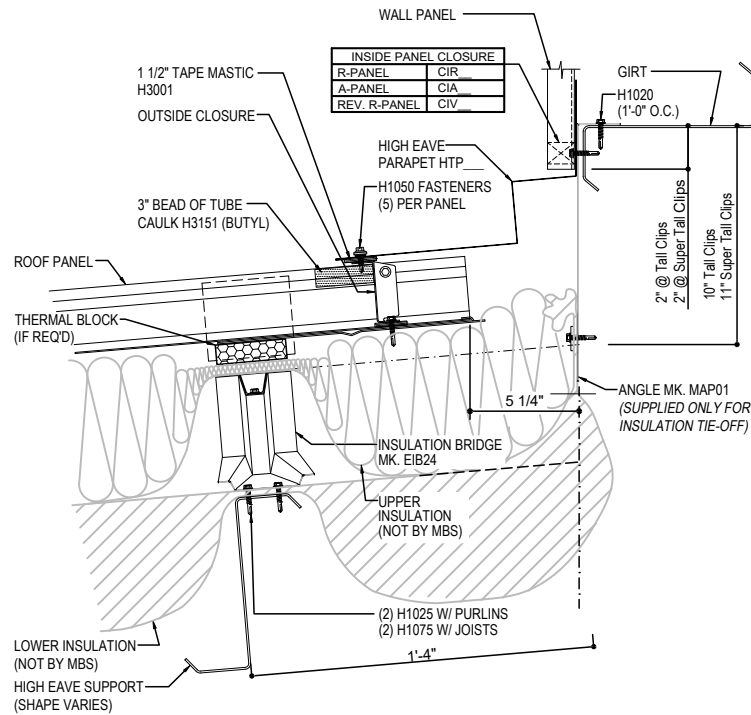
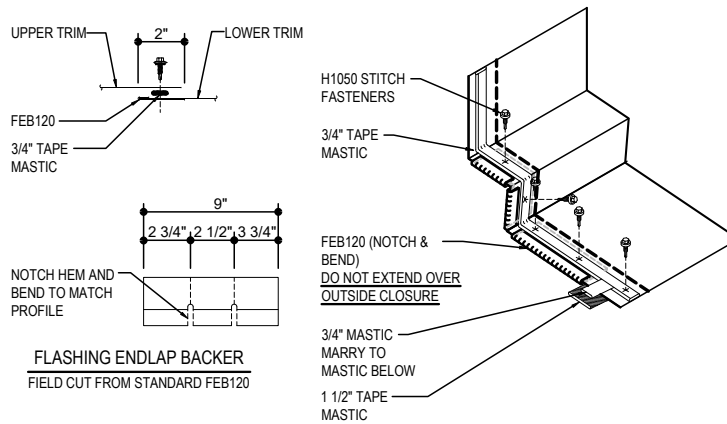
- 1) N/A

FI2015 - WALL PANEL ABOVE

[Download the DWG file by clicking here.](#)

HIGH EAVE LAP & FLASHING BACKER

SLIDE FIELD CUT SECTION FLASHING ENDLAP BACKER ONTO THE LOWER TRIM PIECE. PLACE TAPE MASTIC NEXT TO HEM OF THE BACKER (NOT ON TOP OF HEM). APPLY CONTINUOUS BEAD OF CAULK 1" FROM END OF TRIM DOWN PROFILE OF TRIM. FASTEN LAP WITH STITCH FASTENERS AND POP RIVETS AS SHOWN.



R-Boost™ ROOF TO WALL DETAIL
HIGH EAVE PARAPET DETAIL WITH WALL PANEL

FI2015

Detailer Notes:

- 1) N/A